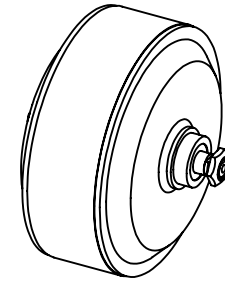
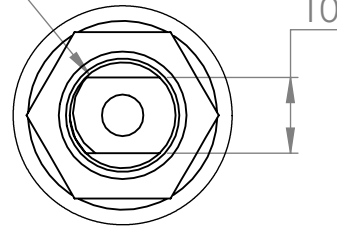
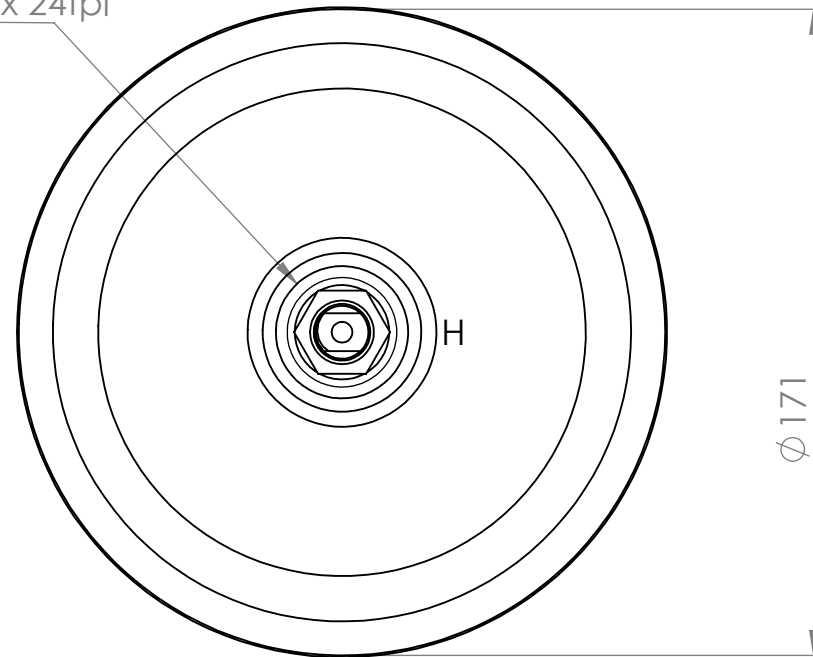


M14 x 1.5

DETAIL H  
SCALE 1 : 1



35mm x 24tpi



PART NO:	MStokeXX
DESCRIPTION:	SM Hub Assembly

REVISION:	DRAWN: Justin Lemire-Elmore	MATERIAL:	
	DATE:	WEIGHT:	5.1 kg
UNLESS OTHERWISE SPECIFIED:		SURFACE FINISH:	
DIMENSIONS IN MM TOLERANCES ± TWO PLACE DECIMAL ±		SCALE:	1:2



**PROPRIETARY AND CONFIDENTIAL**  
THE INFORMATION CONTAINED IN THIS DRAWING IS THE SOLE PROPERTY OF GRIN TECHNOLOGIES. ANY REPRODUCTION IN PART OR AS A WHOLE WITHOUT THE WRITTEN PERMISSION OF GRIN TECHNOLOGIES IS PROHIBITED.