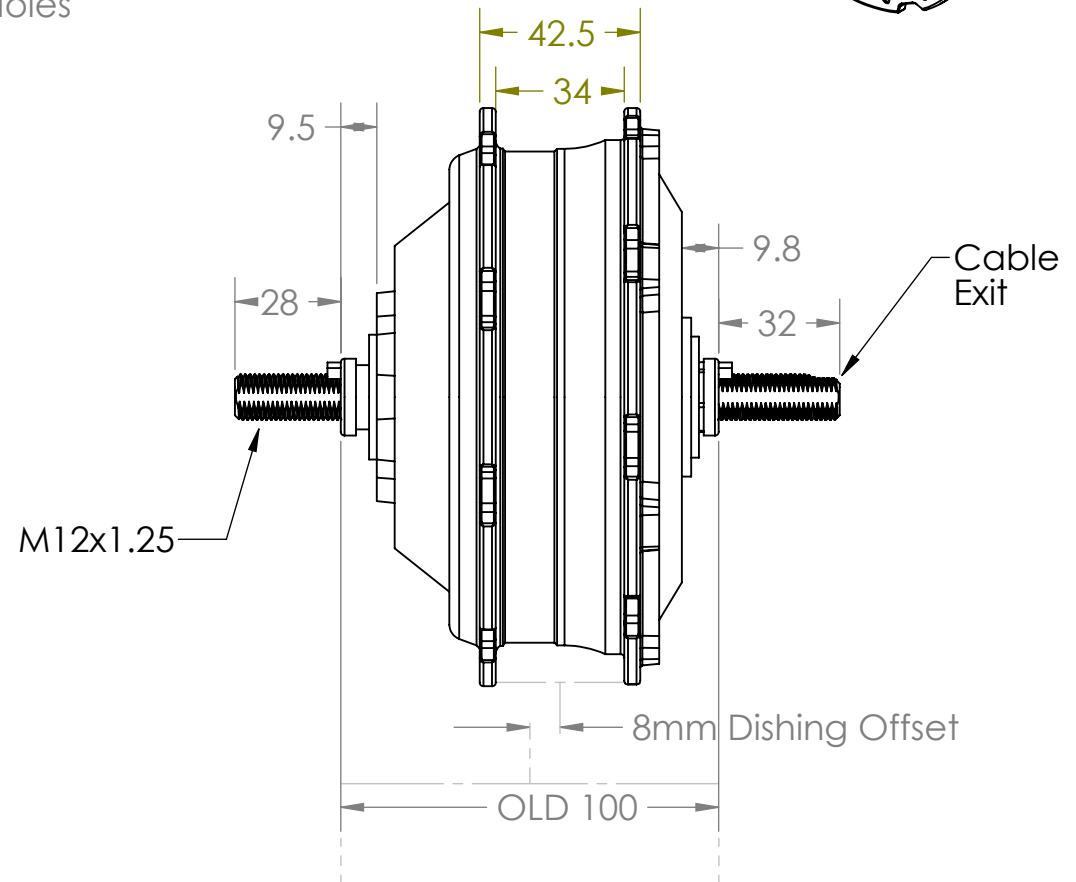
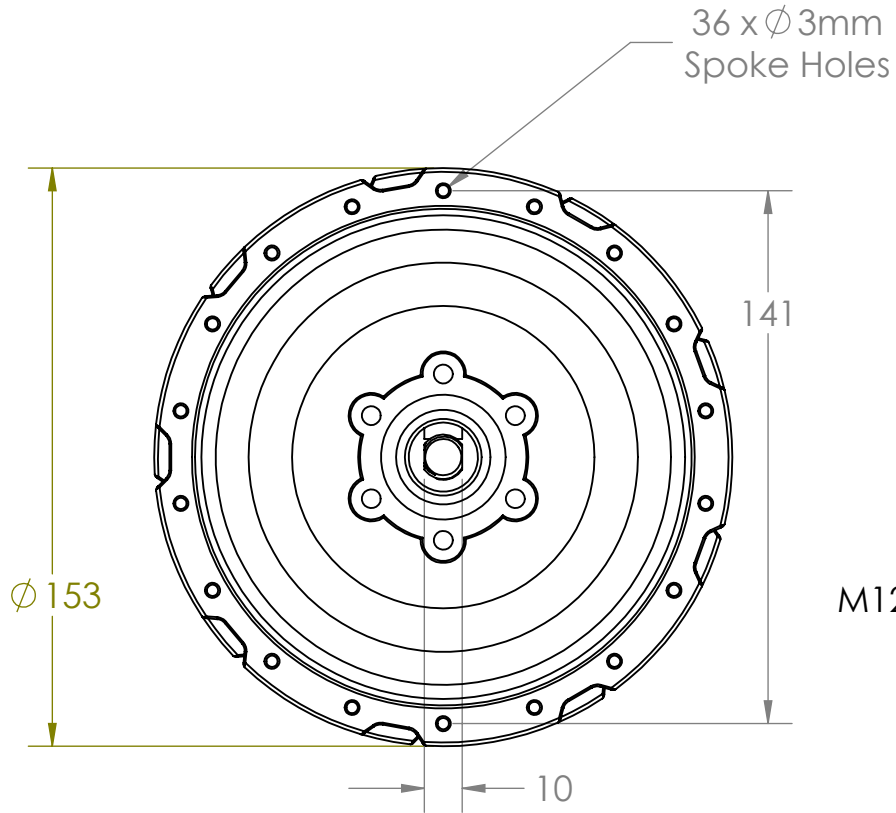
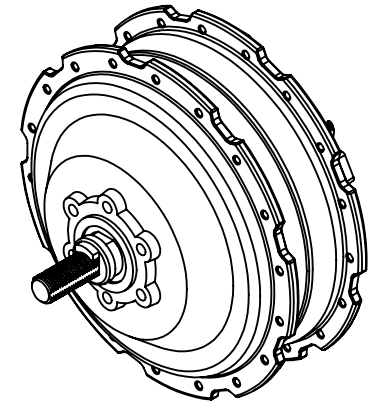


Gear Ratio: 4.83:1
 Magnetic Pole Pairs: 15 (72 effective)
 Connector: Higo Z910 combined Speedo/Therm
 Thermistor: 10K NTC, B3450
 Speedometer: 6 Pulse / Rev
 Axle End Cable Exit (Freehub Side)
 Wire Length 220mm



PART NO: Shengyi SX1	REVISION: 0	DRAWN: Justin	MATERIAL:	3.0 kg	GRIN TECHNOLOGIES	PROPRIETARY AND CONFIDENTIAL THE INFORMATION CONTAINED IN THIS DRAWING IS THE SOLE PROPERTY OF GRIN TECHNOLOGIES. ANY REPRODUCTION IN PART OR AS A WHOLE WITHOUT THE WRITTEN PERMISSION OF GRIN TECHNOLOGIES IS PROHIBITED.
		DATE: 14/09/2020	WEIGHT:			
DESCRIPTION: Helical Geared Front Hub Motor		UNLESS OTHERWISE SPECIFIED: DIMENSIONS IN MM TOLERANCES \pm 1 TWO PLACE DECIMAL \pm	SURFACE FINISH: Black	1:2		
					SCALE:	