

PART NO:  
MSC-SSArm

REVISION:  
2

DRAWN: Robbie  
DATE: 23/02/2021

MATERIAL: 6061-T6  
WEIGHT: g

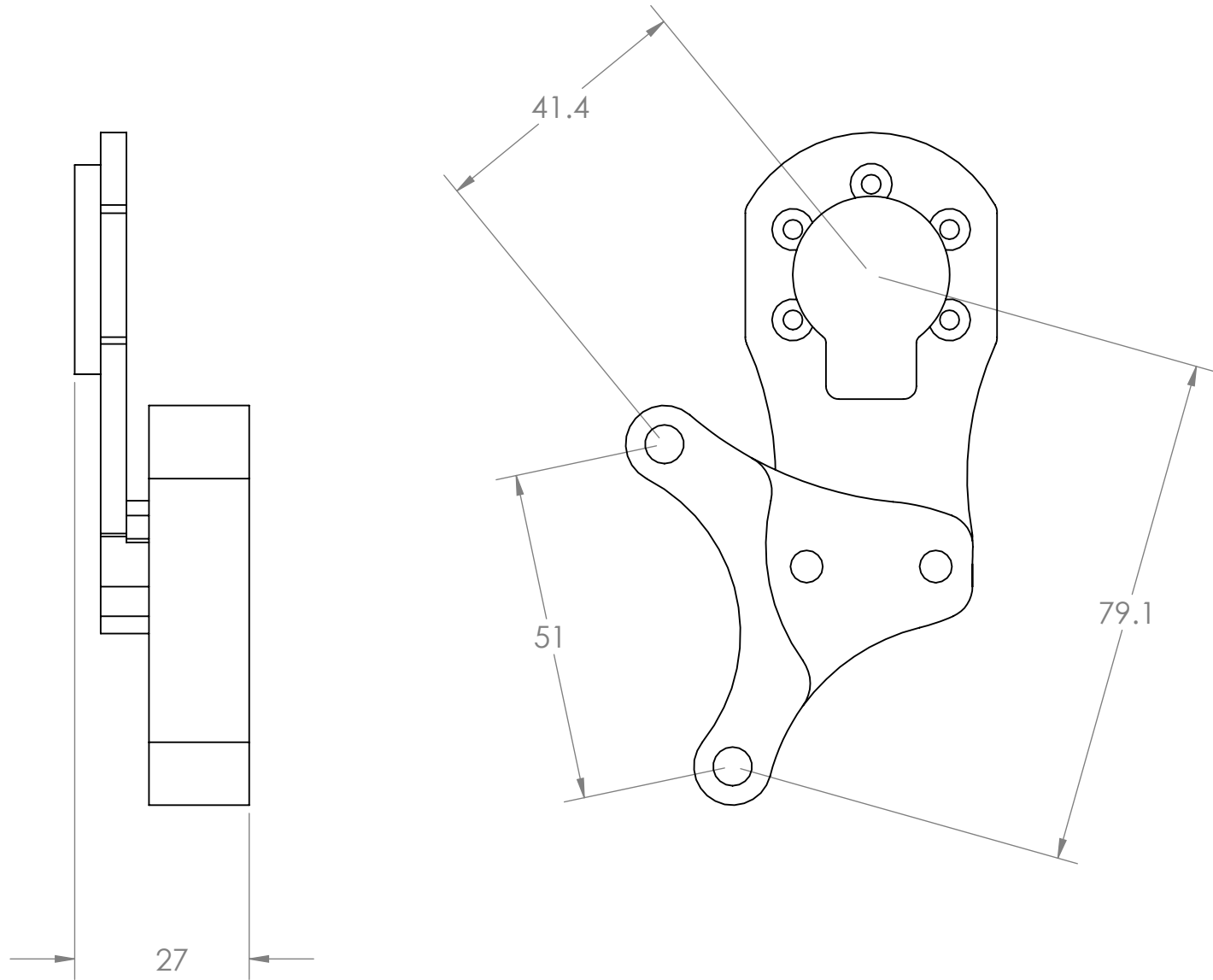
DESCRIPTION:  
Grinhub DIY SS Arm

UNLESS OTHERWISE SPECIFIED:  
DIMENSIONS IN MM  
TOLERANCES  $\pm 1$   
TWO PLACE DECIMAL  $\pm 0.5$

SURFACE  
FINISH:  
SCALE: 1:1



PROPRIETARY AND CONFIDENTIAL  
THE INFORMATION CONTAINED IN THIS  
DRAWING IS THE SOLE PROPERTY OF  
GRIN TECHNOLOGIES. ANY  
REPRODUCTION IN PART OR AS A WHOLE  
WITHOUT THE WRITTEN PERMISSION OF  
GRIN TECHNOLOGIES IS  
PROHIBITED.



PART NO:  
MSC-SSTerra

REVISION:  
0

DRAWN: Robbie  
DATE: 23/02/2021

MATERIAL: 6061-T6  
WEIGHT: g

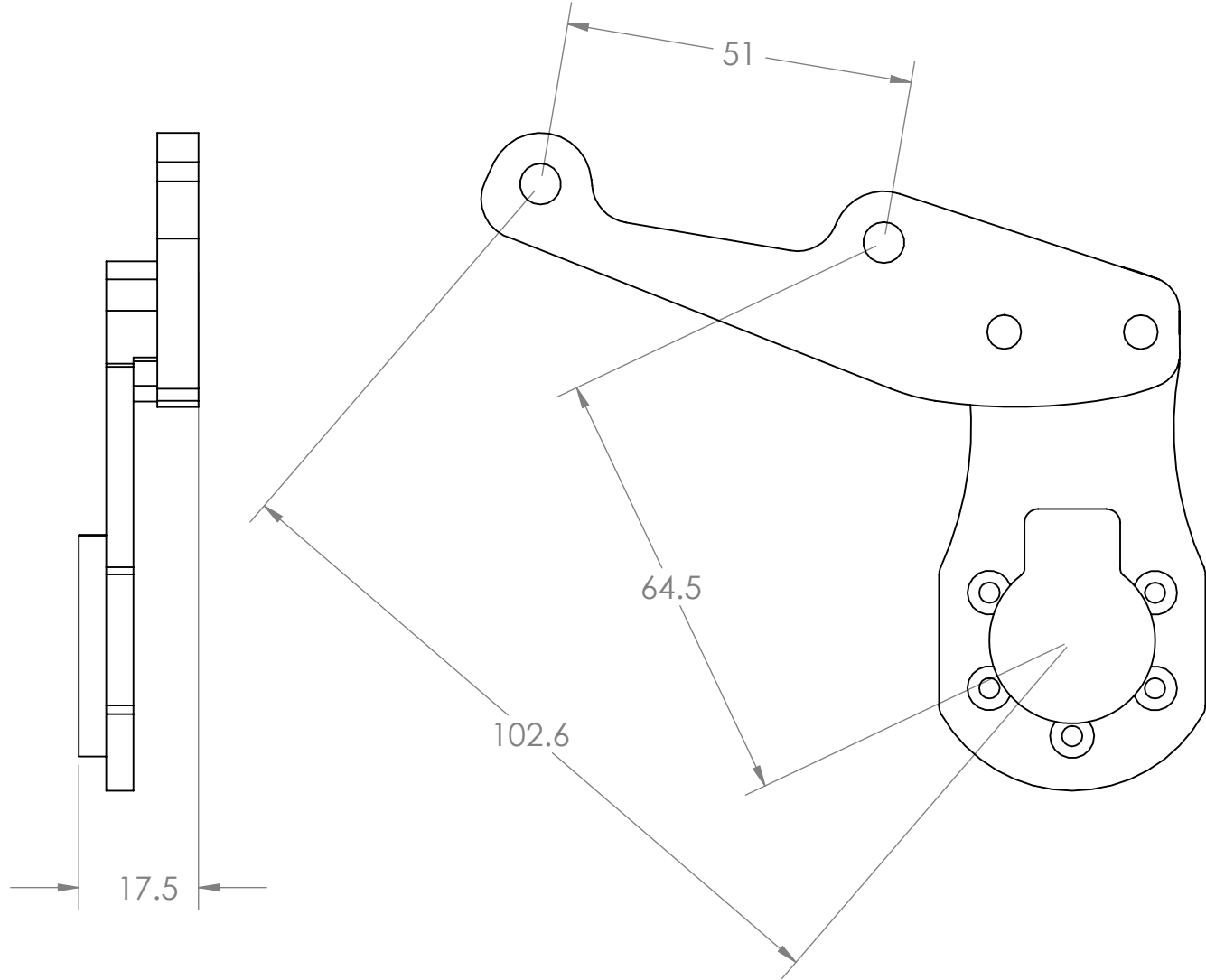
DESCRIPTION:  
Grinhub Terra Trike Adapter

UNLESS OTHERWISE SPECIFIED:  
DIMENSIONS IN MM  
TOLERANCES  $\pm 1$   
TWO PLACE DECIMAL  $\pm 0.5$

SURFACE FINISH:  
SCALE: 1:1



PROPRIETARY AND CONFIDENTIAL  
THE INFORMATION CONTAINED IN THIS  
DRAWING IS THE SOLE PROPERTY OF  
GRIN TECHNOLOGIES. ANY  
REPRODUCTION IN PART OR AS A WHOLE  
WITHOUT THE WRITTEN PERMISSION OF  
GRIN TECHNOLOGIES IS  
PROHIBITED.



PART NO:  
MSC-SSGreen

REVISION:  
0

DRAWN: Robbie  
DATE: 23/02/2021

MATERIAL: 6061-T6  
WEIGHT: g

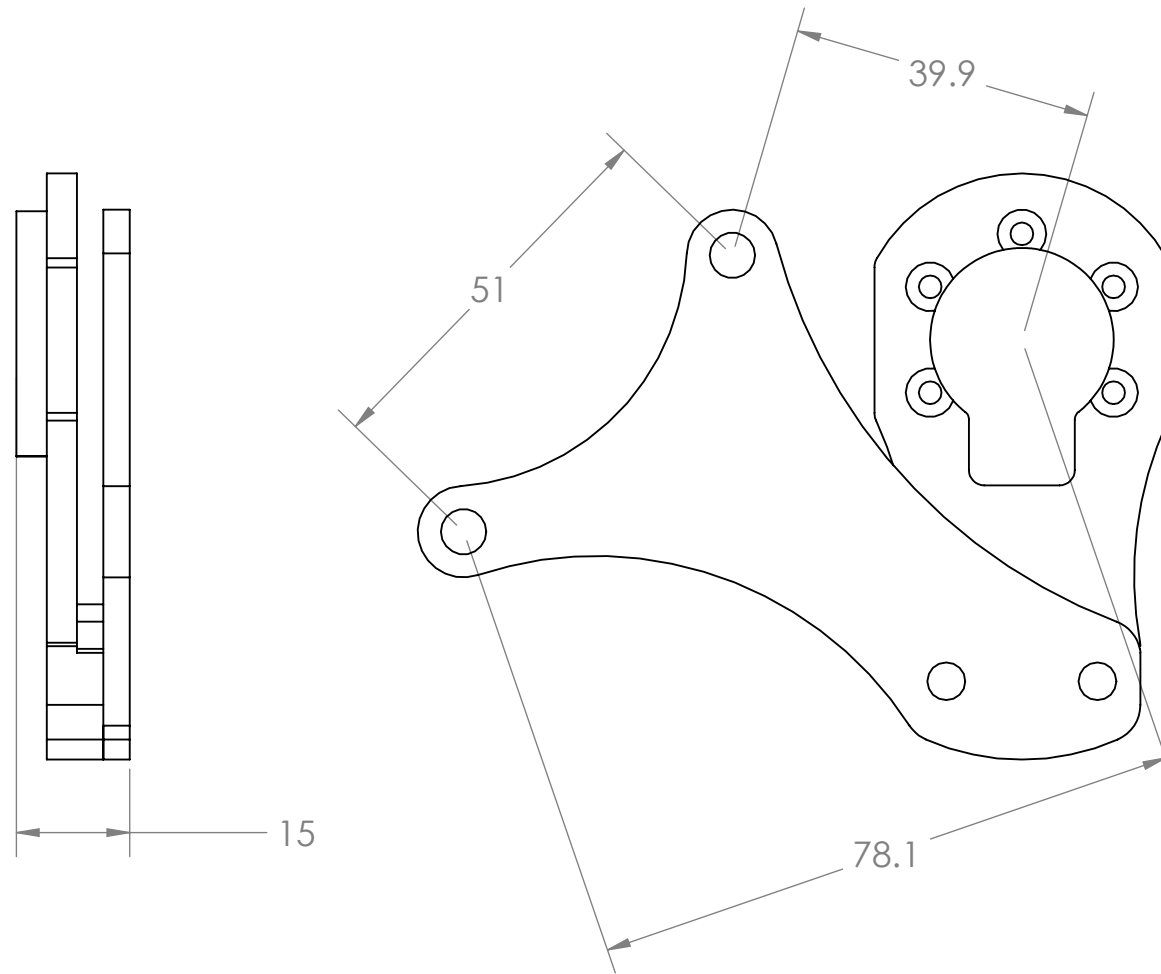
DESCRIPTION:  
Grinhub Greenspeed Adapter

UNLESS OTHERWISE SPECIFIED:  
DIMENSIONS IN MM  
TOLERANCES  $\pm 1$   
TWO PLACE DECIMAL  $\pm 0.5$

SURFACE FINISH:  
SCALE: 1:1



PROPRIETARY AND CONFIDENTIAL  
THE INFORMATION CONTAINED IN THIS  
DRAWING IS THE SOLE PROPERTY OF  
GRIN TECHNOLOGIES. ANY  
REPRODUCTION IN PART OR AS A WHOLE  
WITHOUT THE WRITTEN PERMISSION OF  
GRIN TECHNOLOGIES IS  
PROHIBITED.



PART NO:  
MSC-SSCat

REVISION:  
0

DRAWN: Robbie  
DATE: 23/02/2021

MATERIAL: 6061-T6  
WEIGHT: g

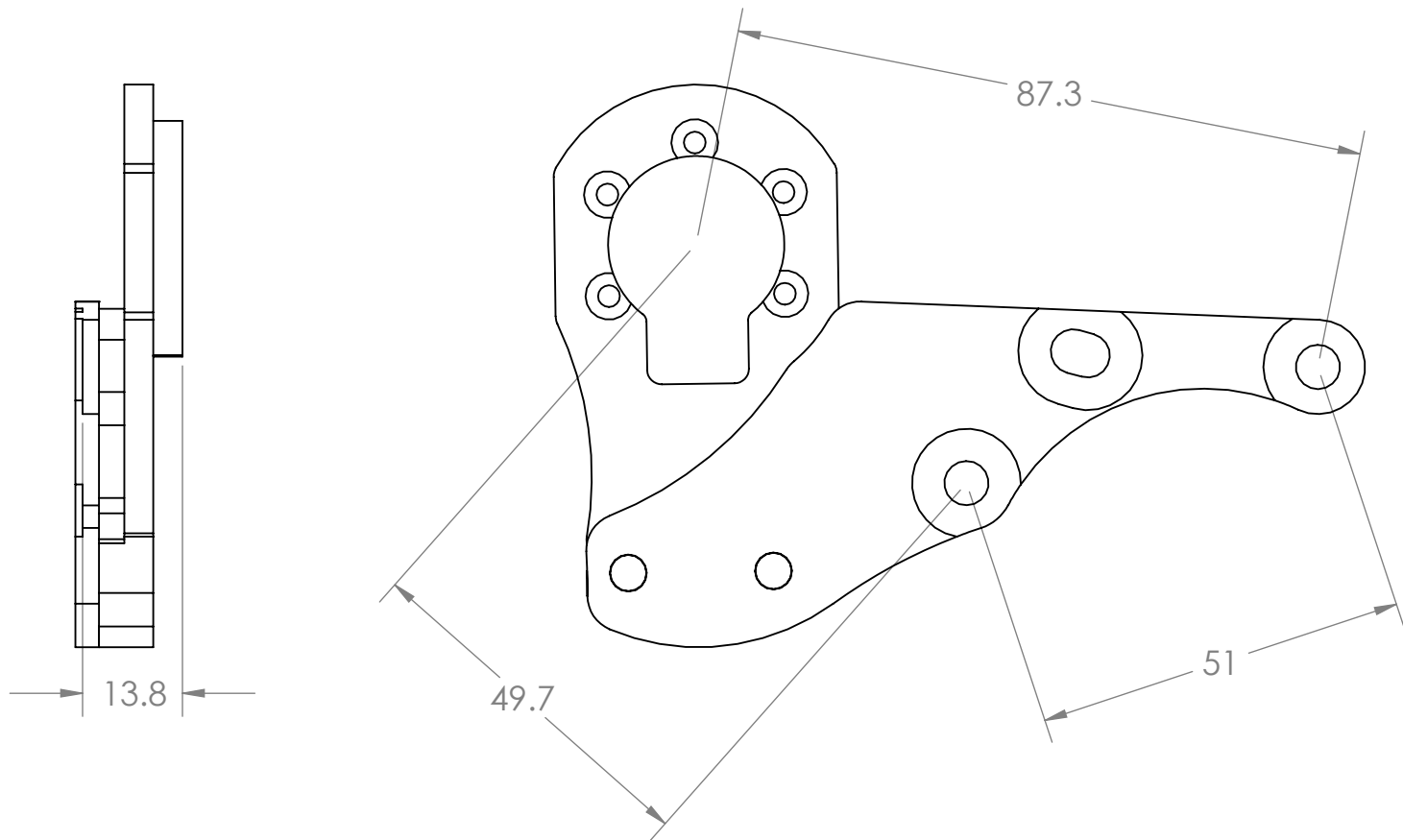
DESCRIPTION:  
Grinhub CatTrike Adapter

UNLESS OTHERWISE SPECIFIED:  
DIMENSIONS IN MM  
TOLERANCES  $\pm 1$   
TWO PLACE DECIMAL  $\pm 0.5$

SURFACE FINISH:  
SCALE: 1:1



PROPRIETARY AND CONFIDENTIAL  
THE INFORMATION CONTAINED IN THIS  
DRAWING IS THE SOLE PROPERTY OF  
GRIN TECHNOLOGIES. ANY  
REPRODUCTION IN PART OR AS A WHOLE  
WITHOUT THE WRITTEN PERMISSION OF  
GRIN TECHNOLOGIES IS  
PROHIBITED.



PART NO:  
MSC-SSIce

REVISION:  
0

DRAWN: Robbie  
DATE: 23/02/2021

MATERIAL: 6061-T6  
WEIGHT: g

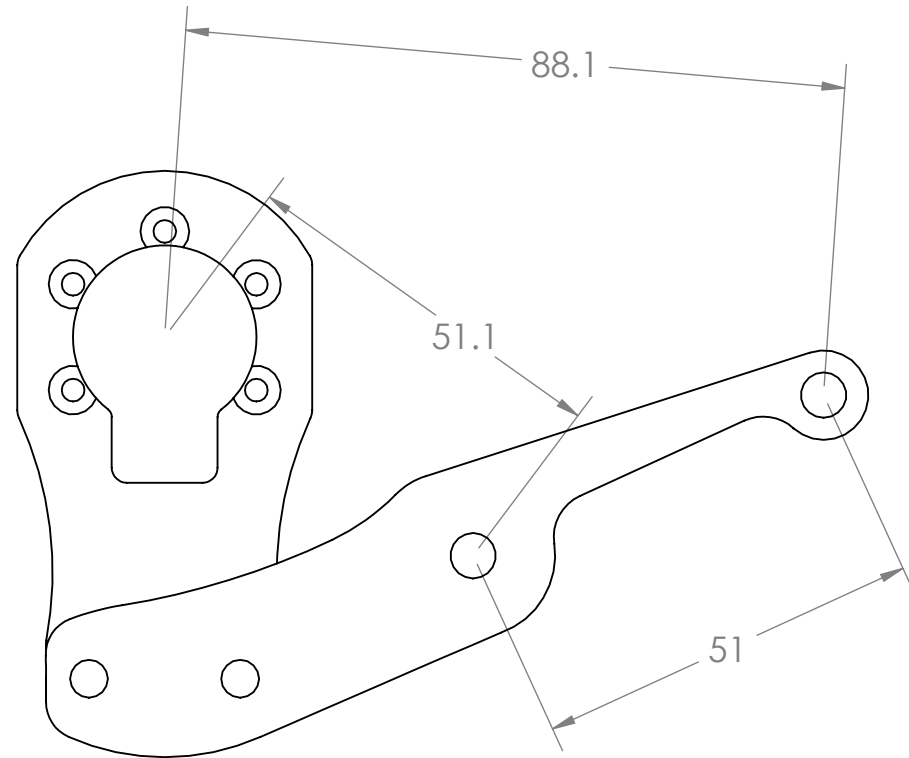
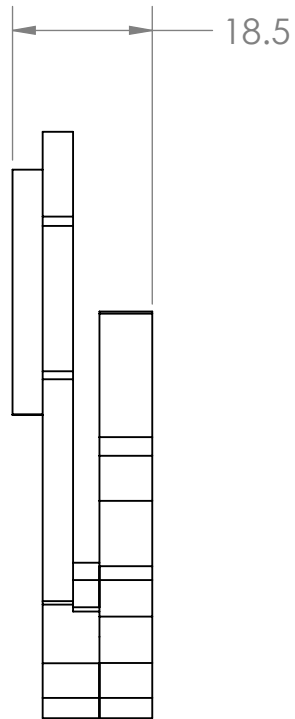
DESCRIPTION:  
Grinhub IceTrike Adapter

UNLESS OTHERWISE SPECIFIED:  
DIMENSIONS IN MM  
TOLERANCES  $\pm 1$   
TWO PLACE DECIMAL  $\pm 0.5$

SURFACE FINISH:  
SCALE: 1:1



PROPRIETARY AND CONFIDENTIAL  
THE INFORMATION CONTAINED IN THIS  
DRAWING IS THE SOLE PROPERTY OF  
GRIN TECHNOLOGIES. ANY  
REPRODUCTION IN PART OR AS A WHOLE  
WITHOUT THE WRITTEN PERMISSION OF  
GRIN TECHNOLOGIES IS  
PROHIBITED.



PART NO:  
MSC-SSFree

REVISION:  
0

DRAWN: Robbie  
DATE: 23/02/2021

MATERIAL: 6061-T6  
WEIGHT: g

DESCRIPTION:  
Grinhub Freecross Adapter

UNLESS OTHERWISE SPECIFIED:  
DIMENSIONS IN MM  
TOLERANCES  $\pm 1$   
TWO PLACE DECIMAL  $\pm 0.5$

SURFACE FINISH:  
SCALE: 1:1



PROPRIETARY AND CONFIDENTIAL  
THE INFORMATION CONTAINED IN THIS  
DRAWING IS THE SOLE PROPERTY OF  
GRIN TECHNOLOGIES. ANY  
REPRODUCTION IN PART OR AS A WHOLE  
WITHOUT THE WRITTEN PERMISSION OF  
GRIN TECHNOLOGIES IS  
PROHIBITED.