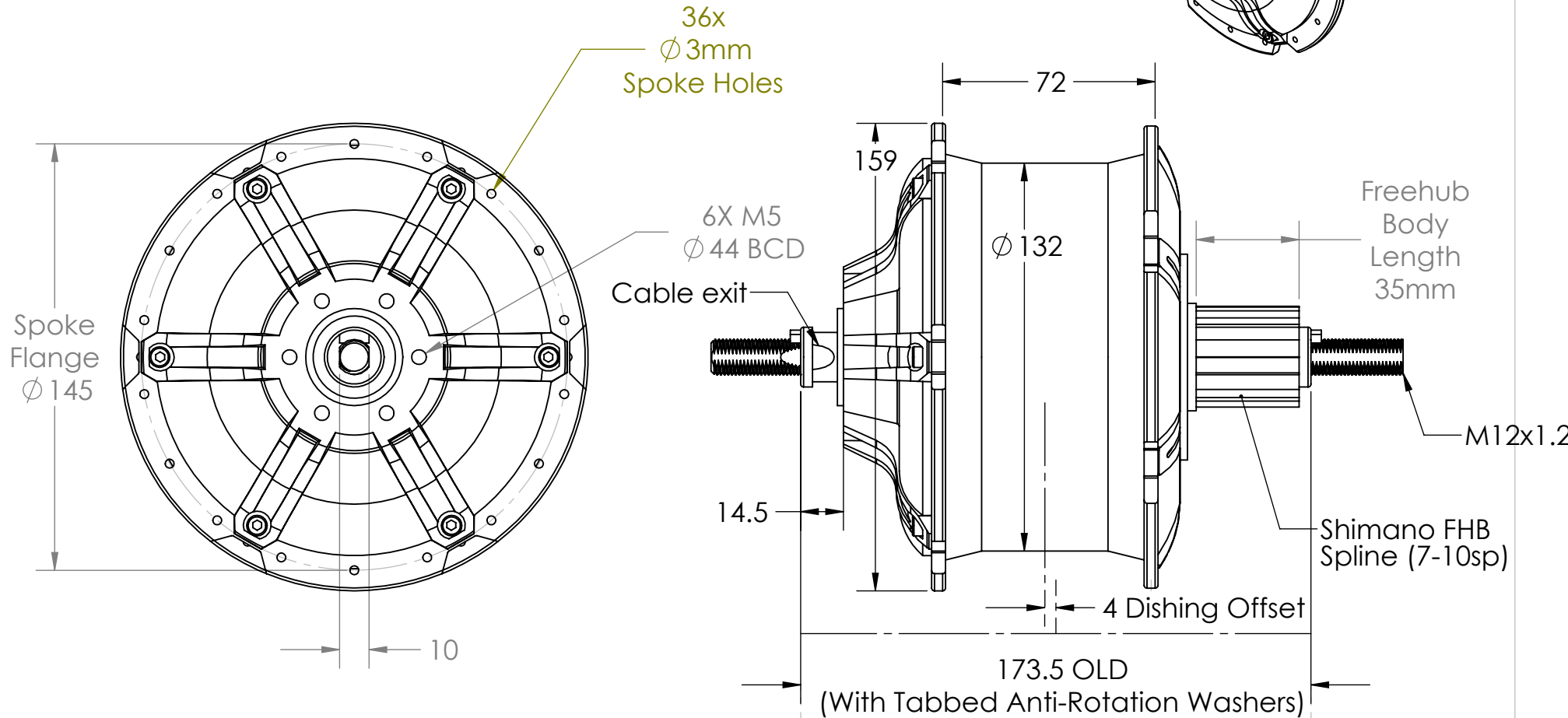
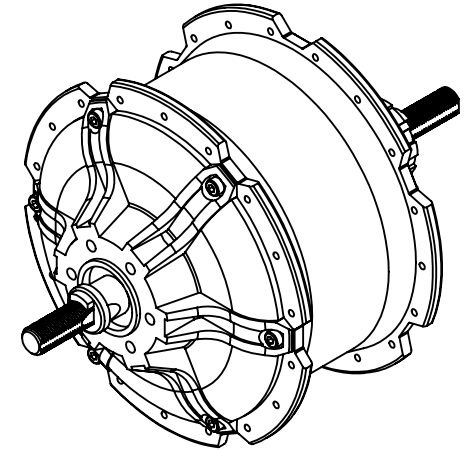


Gear Ratio: 5:1
 Magnetic Pole Pairs: 10 (50 effective)
 6 speed pulses/revolution
 Connector: Higo L1019
 Side Axle Cable Exit (Disk Side)
 Wire Length 220mm



PART NO:
 Bafang G62

REVISION:
 0

DRAWN: Nicole
 DATE: 07/29/2022

MATERIAL:
 WEIGHT: 4.85 kg

DESCRIPTION:
 Fatbike Hub for 170-175mm Dropouts

UNLESS OTHERWISE SPECIFIED:
 DIMENSIONS IN MM
 TOLERANCES \pm 1
 TWO PLACE DECIMAL \pm

Nominal Power: 1000 Watts
 SCALE: 1:2



PROPRIETARY AND CONFIDENTIAL
 THE INFORMATION CONTAINED IN THIS DRAWING IS THE SOLE PROPERTY OF GRIN TECHNOLOGIES. ANY REPRODUCTION IN PART OR AS A WHOLE WITHOUT THE WRITTEN PERMISSION OF GRIN TECHNOLOGIES IS PROHIBITED.