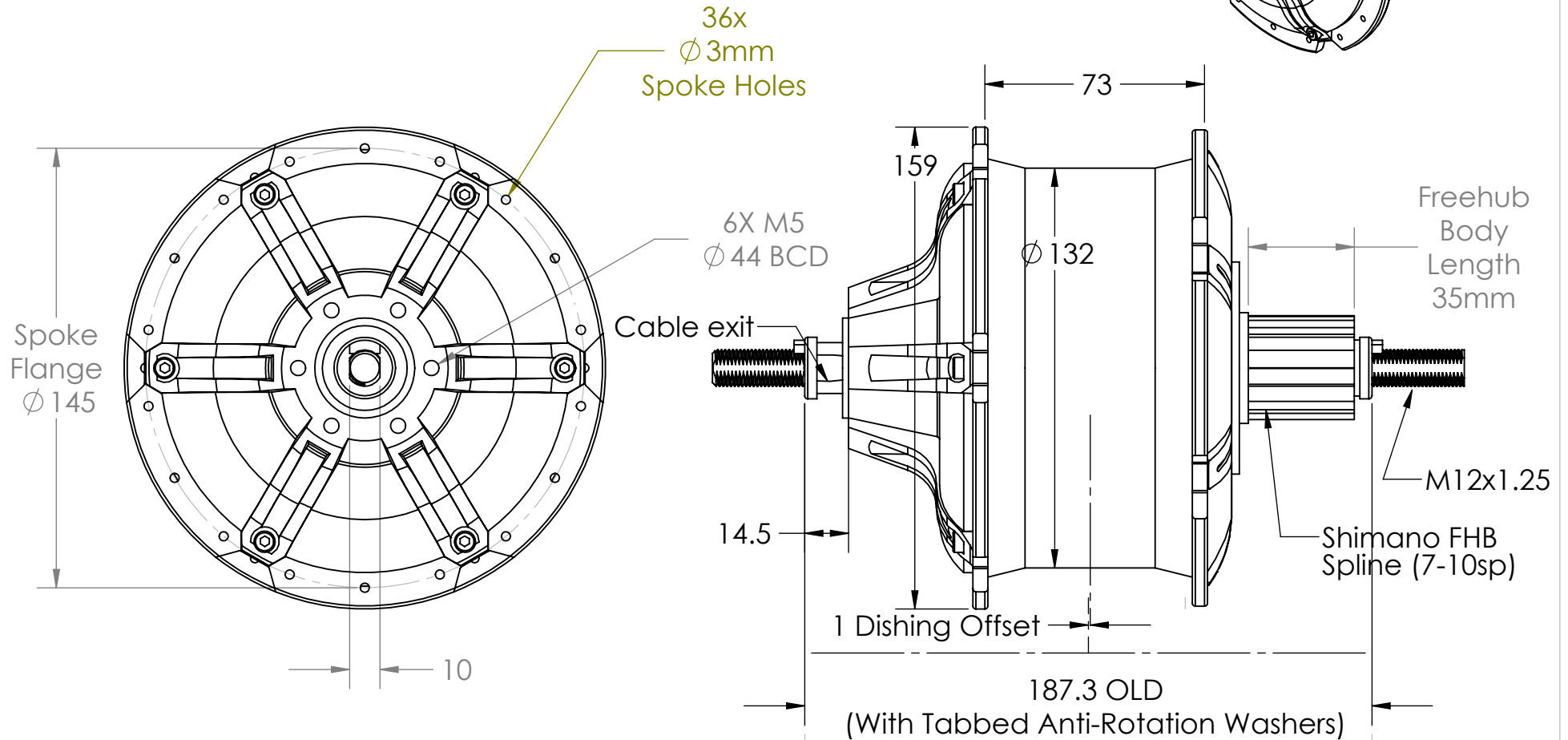
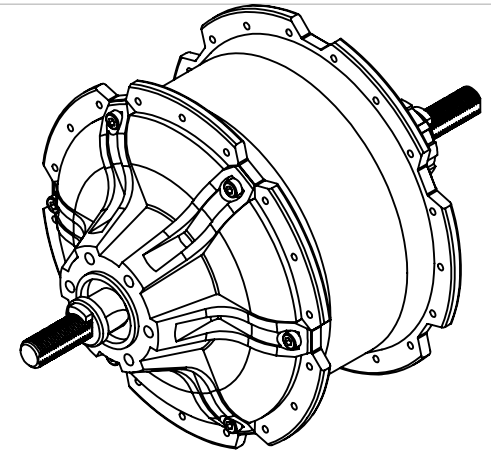


Gear Ratio: 5:1
 Magnetic Pole Pairs: 10 (50 effective)
 6 speed pulses/revolution
 Connector: Higo L1019
 Side Axle Cable Exit (Disk Side)
 Wire Length 220mm



PART NO:
Bafang G62_190

REVISION:
0

DRAWN: Nicole
DATE: 07/29/2022

MATERIAL:
WEIGHT: 4.85 kg

DESCRIPTION:
Fatbike Hub for 190mm Dropouts

UNLESS OTHERWISE SPECIFIED:
DIMENSIONS IN MM
TOLERANCES ± 1
TWO PLACE DECIMAL \pm

Nominal Power: 1000 Watts
SCALE: 1:2



PROPRIETARY AND CONFIDENTIAL
 THE INFORMATION CONTAINED IN THIS DRAWING IS THE SOLE PROPERTY OF GRIN TECHNOLOGIES. ANY REPRODUCTION IN PART OR AS A WHOLE WITHOUT THE WRITTEN PERMISSION OF GRIN TECHNOLOGIES IS PROHIBITED.