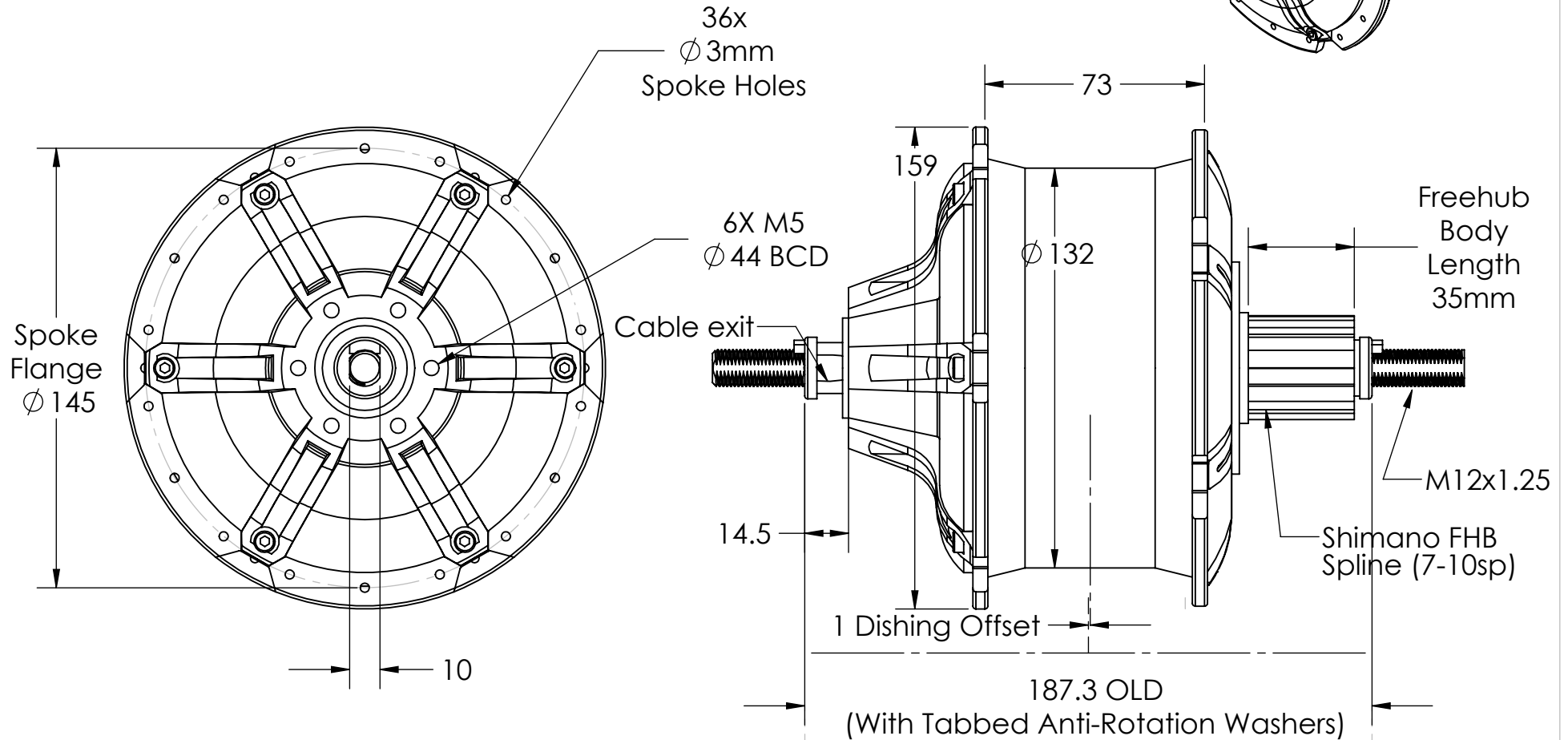
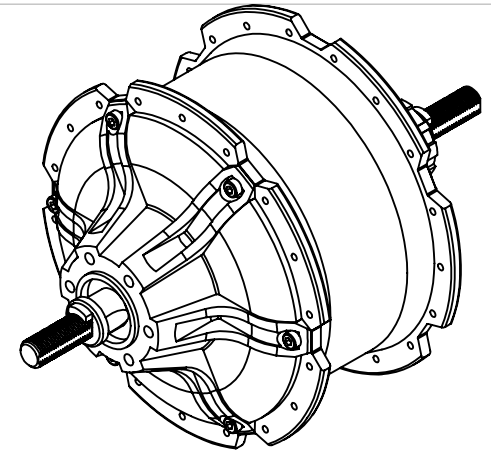


Gear Ratio: 5:1  
 Magnetic Pole Pairs: 10 (50 effective)  
 6 speed pulses/revolution  
 Connector: Higo L1019  
 Side Axle Cable Exit (Disk Side)  
 Wire Length 220mm



PART NO:  
 Bafang G62\_190

REVISION:  
 0

DRAWN: Nicole  
 DATE: 07/29/2022

MATERIAL:  
 WEIGHT: 4.85 kg

DESCRIPTION:  
 Fatbike Hub for 190mm Dropouts

UNLESS OTHERWISE SPECIFIED:  
 DIMENSIONS IN MM  
 TOLERANCES  $\pm$  1  
 TWO PLACE DECIMAL  $\pm$

Nominal Power: 1000 Watts  
 SCALE: 1:2



**PROPRIETARY AND CONFIDENTIAL**  
 THE INFORMATION CONTAINED IN THIS DRAWING IS THE SOLE PROPERTY OF GRIN TECHNOLOGIES. ANY REPRODUCTION IN PART OR AS A WHOLE WITHOUT THE WRITTEN PERMISSION OF GRIN TECHNOLOGIES IS PROHIBITED.