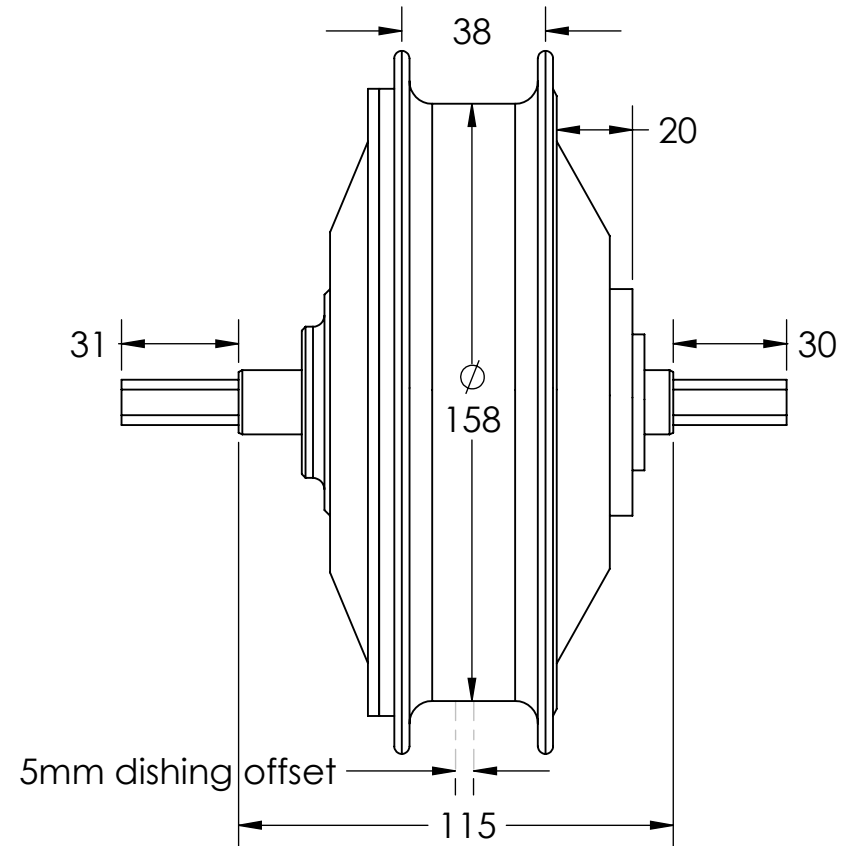
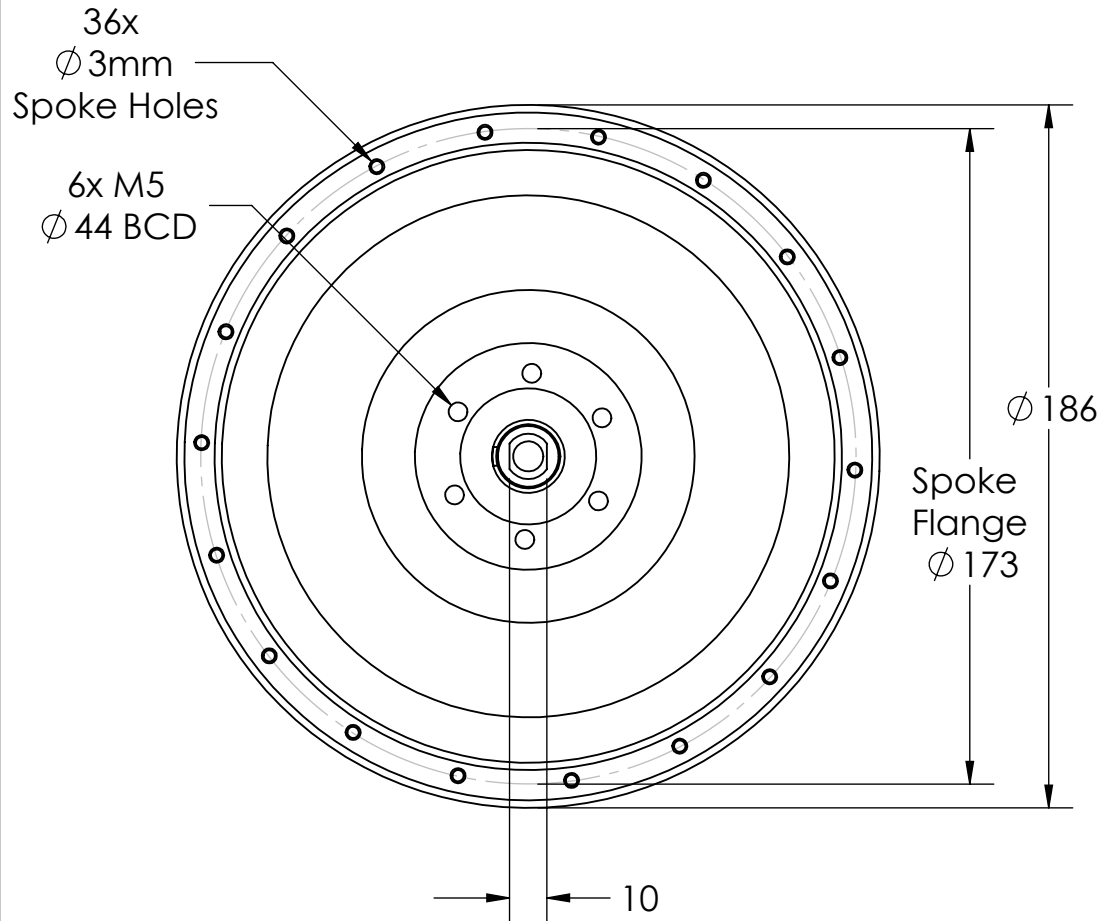
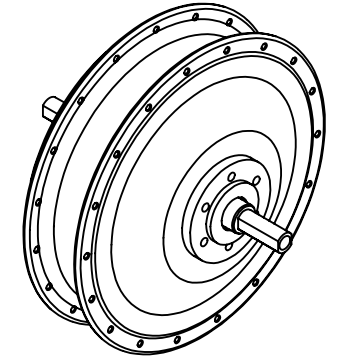


Gear Ratio: 5:1
 Magnetic Pole Pairs: 80
 Speed Pules/Revolution: 6
 Connector: Higo L1019
 Cable Exit: End of Axle (Disk Side)
 Wire Length: 320mm



PART NO:

REVISION:

DRAWN: Nicole

MATERIAL:

eZee Front Hub 115mm

DATE: 12/19/2022

WEIGHT: 3660g

DESCRIPTION:
 Regen Capable Geared Hub for 115mm
 Dropouts

UNLESS OTHERWISE SPECIFIED:
 DIMENSIONS IN MM
 TOLERANCES \pm
 TWO PLACE DECIMAL \pm

SURFACE FINISH:

SCALE:

1:2



PROPRIETARY AND CONFIDENTIAL
 THE INFORMATION CONTAINED IN THIS
 DRAWING IS THE SOLE PROPERTY OF
 GRIN TECHNOLOGIES. ANY
 REPRODUCTION IN PART OR AS A WHOLE
 WITHOUT THE WRITTEN PERMISSION OF
 GRIN TECHNOLOGIES IS
 PROHIBITED.