

PART NO:
Grin Fat All-Axle Front Hub Motor

REVISION:
0

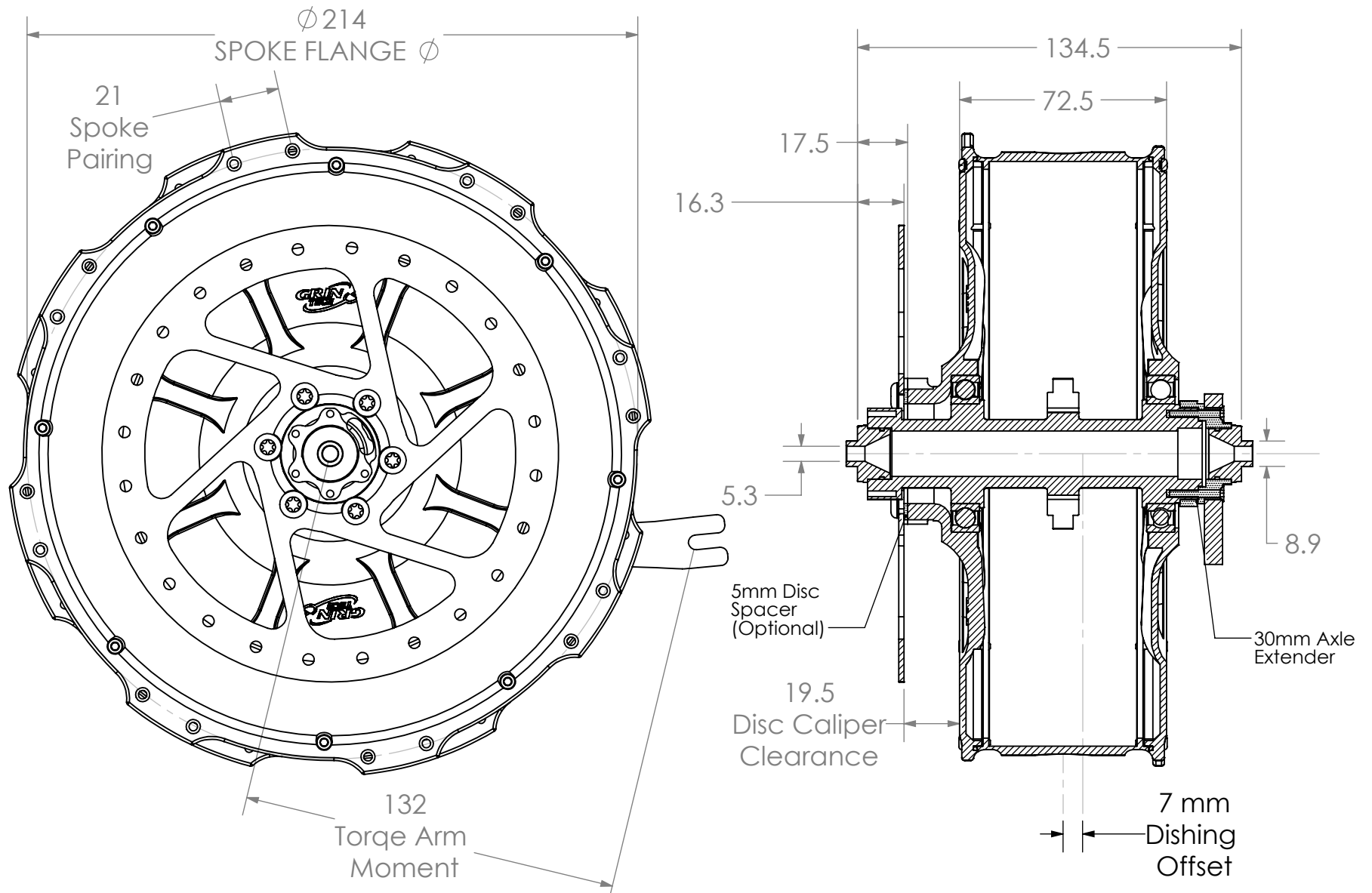
DRAWN: Justin L-E.
DATE: 09-24-2024
www.ebikes.ca
Relevant dimension drawing in mm for external use
Designed, Drawn and Made in Canada

MATERIAL: N/A
WEIGHT: ~5.95kg
SURFACE FINISH: Anodized Alum
SCALE: 1:2

DESCRIPTION:
Single Side Adapter



REFERENCE USE ONLY
THE INFORMATION CONTAINED IN THIS DRAWING IS THE SOLE PROPERTY OF GRIN TECHNOLOGIES. ANY REPRODUCTION IN PART OR AS A WHOLE WITHOUT THE WRITTEN PERMISSION OF GRIN TECHNOLOGIES IS PROHIBITED.



PART NO:
Grin Fat All-Axle Front Hub Motor

REVISION:
0

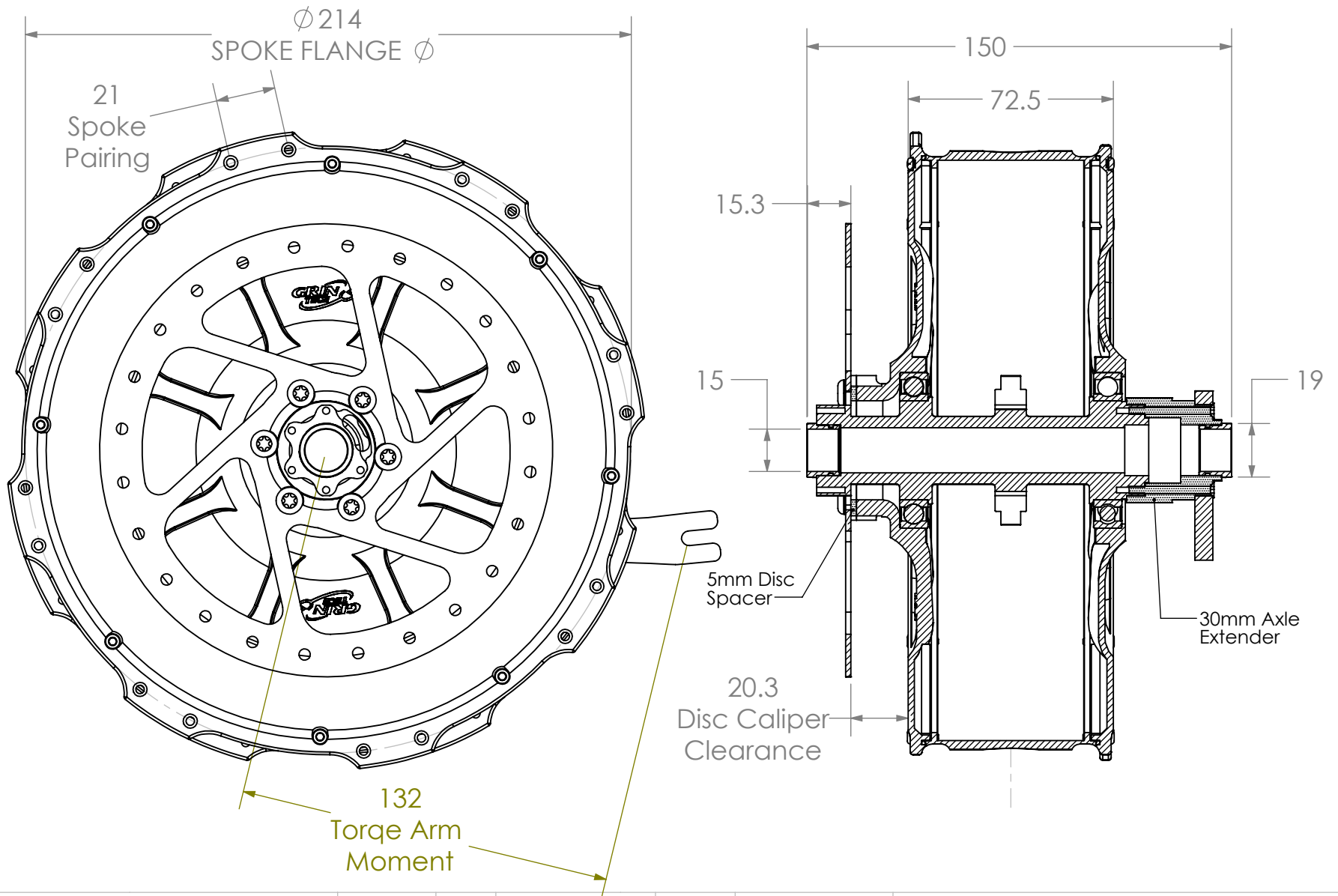
DRAWN: Justin L-E.
DATE: 09-24-2024
www.ebikes.ca
Relevant dimension drawing in mm for external use
Designed, Drawn and Made in Canada

MATERIAL: N/A
WEIGHT: ~6.0kg
SURFACE FINISH: Anodized Alum
SCALE: 1:2

DESCRIPTION:
135mm Quick Release Adapters



REFERENCE USE ONLY
THE INFORMATION CONTAINED IN THIS DRAWING IS THE SOLE PROPERTY OF GRIN TECHNOLOGIES. ANY REPRODUCTION IN PART OR AS A WHOLE WITHOUT THE WRITTEN PERMISSION OF GRIN TECHNOLOGIES IS PROHIBITED.



PART NO:
Grin Fat All-Axle Front Hub Motor

REVISION:
0

DRAWN: Justin L-E.
 DATE: 09-24-2024
www.ebikes.ca
 Relevant dimension drawing in mm for external use
 Designed, Drawn and Made in Canada

MATERIAL: N/A
 WEIGHT: ~6.0kg
 SURFACE FINISH: Anodized Alum
 SCALE: 1:2

DESCRIPTION:
15x150 Thru Axle Adapters



REFERENCE USE ONLY
 THE INFORMATION CONTAINED IN THIS DRAWING IS THE SOLE PROPERTY OF GRIN TECHNOLOGIES. ANY REPRODUCTION IN PART OR AS A WHOLE WITHOUT THE WRITTEN PERMISSION OF GRIN TECHNOLOGIES IS PROHIBITED.