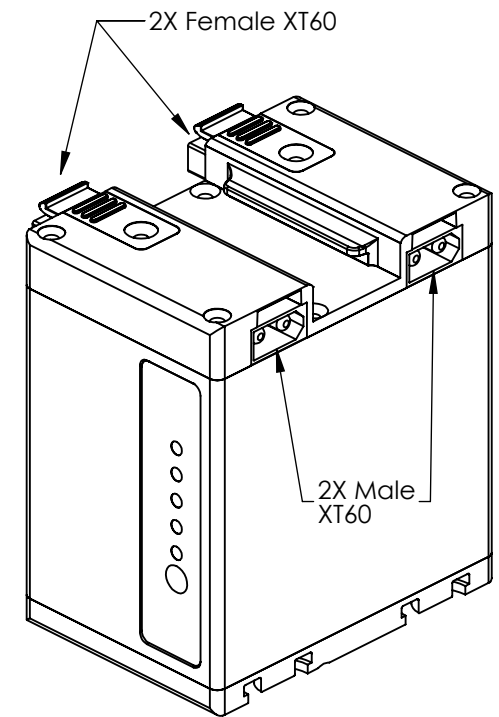
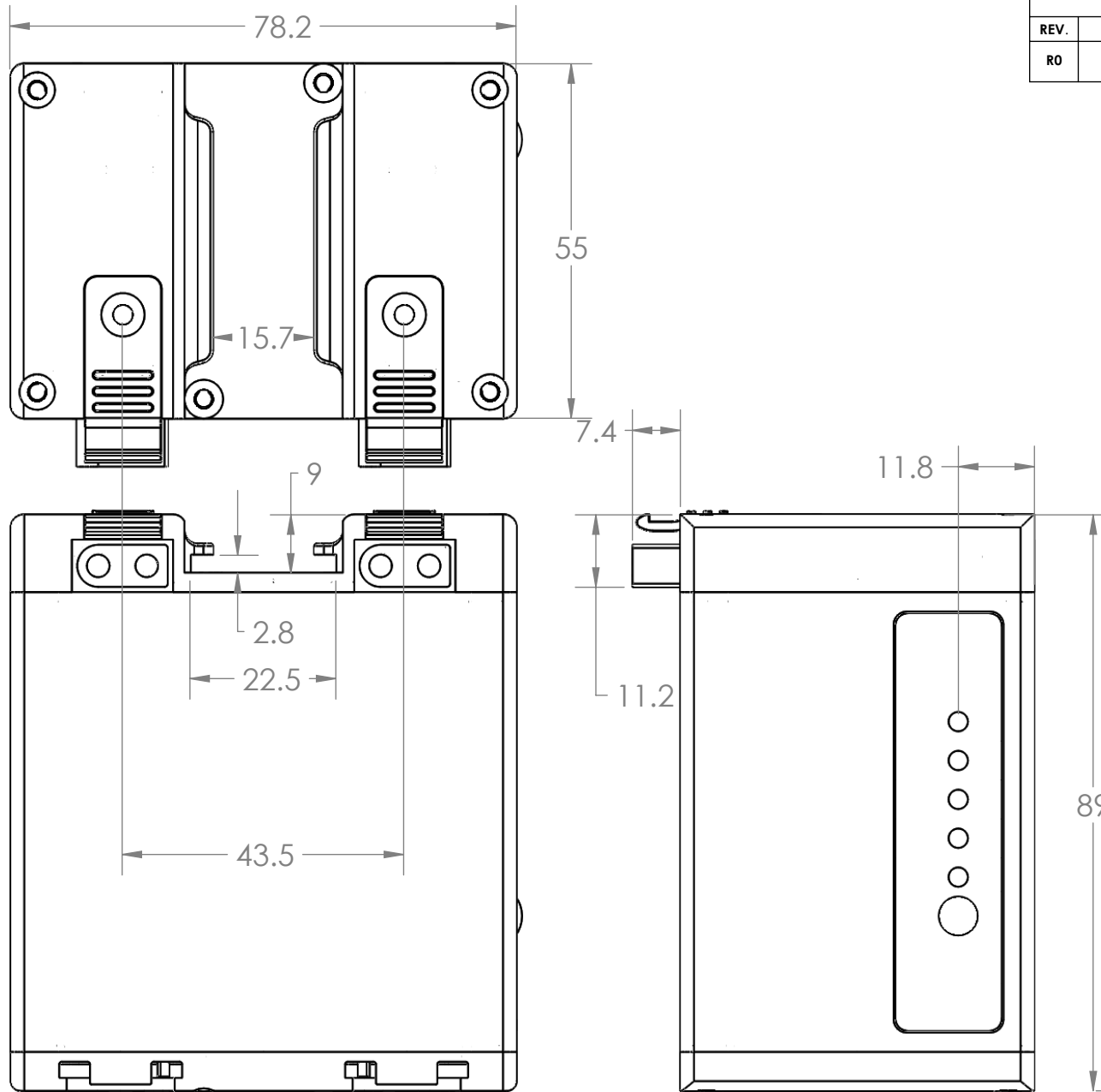


REVISIONS				
REV.	DESCRIPTION	DATE	AUTHOR	APPROVED
RO	INITIAL DESIGN	29 Sep 2024	JLE	JLE



PART NO:
LG10X

REVISION:
Prelim

DESCRIPTION:
LiGo 10X Battery Module, Single Piece

DRAWN: _____

DATE: _____

MATERIAL: Aluminum + PA66 GF

WEIGHT: 640g

UNLESS OTHERWISE SPECIFIED:

DIMENSIONS IN MM

TOLERANCES 0-50 ± 0.1

TOLERANCES >50 ± 0.2

ANGLES ± 1°

1.6/

SURFACE FINISH: Anodized Aluminum

SCALE: 1:1



PROPRIETARY AND CONFIDENTIAL

THE INFORMATION CONTAINED IN THIS DRAWING IS THE SOLE PROPERTY OF GRIN TECHNOLOGIES. ANY REPRODUCTION IN PART OR AS A WHOLE WITHOUT THE WRITTEN PERMISSION OF GRIN TECHNOLOGIES IS PROHIBITED.