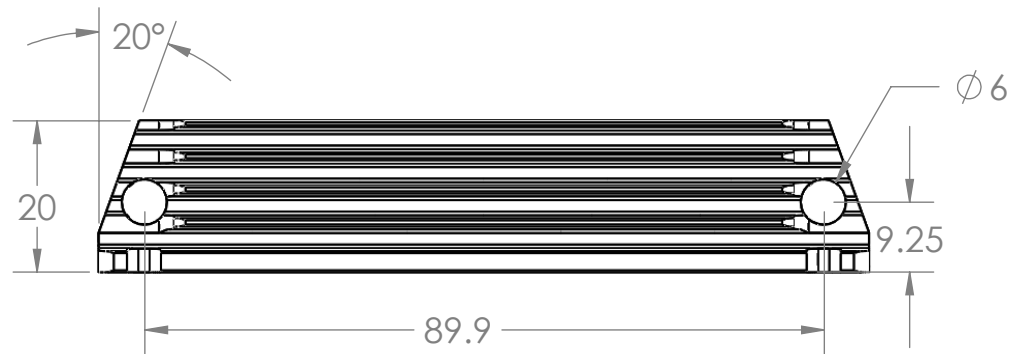
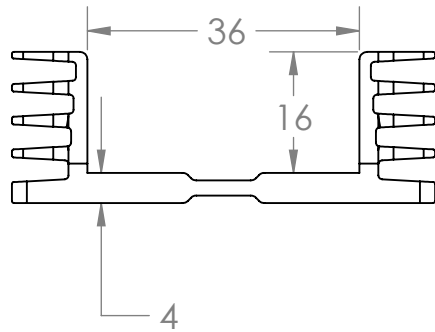
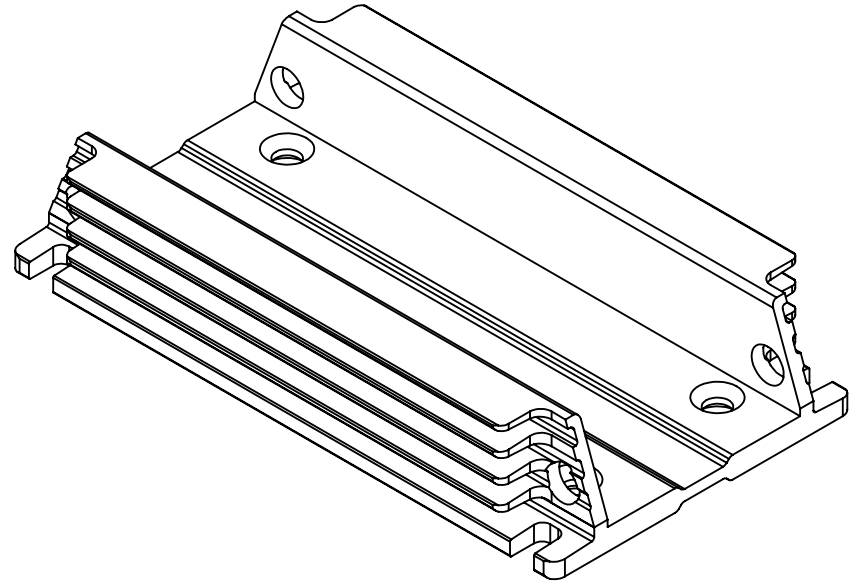
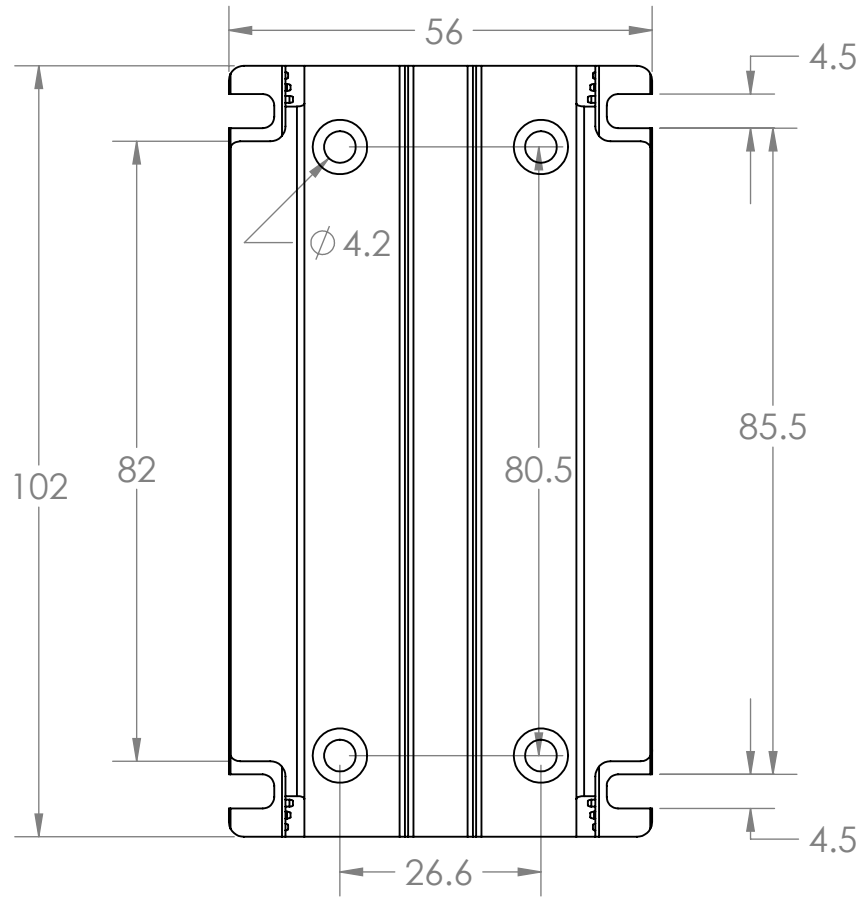


REVISIONS				
REV.	DESCRIPTION	DATE	AUTHOR	APPROVED
RO	INITIAL DESIGN	Apr 2024	JLE	JLE



PART NO:  
PR-ExtSink

REVISION:  
Rev0

DESCRIPTION:  
Extruded Heatsink for Phaseurnner Controllers

DRAWN: Justin L-E  
DATE: 20-04-2024

UNLESS OTHERWISE SPECIFIED:  
BREAK ALL CORNERS 0.2 MM  
DIMENSIONS IN MM  
TOLERANCES ± 0.5  
TWO PLACE DECIMAL ±0.2  
ANGLES ± 2°

MATERIAL: 1050 Alluminum  
WEIGHT: 86 g

SURFACE FINISH: Anodized

SCALE: 1:1



PROPRIETARY AND CONFIDENTIAL

THE INFORMATION CONTAINED IN THIS DRAWING IS THE SOLE PROPERTY OF GRIN TECHNOLOGIES. ANY REPRODUCTION IN PART OR AS A WHOLE WITHOUT THE WRITTEN PERMISSION OF GRIN TECHNOLOGIES IS PROHIBITED.