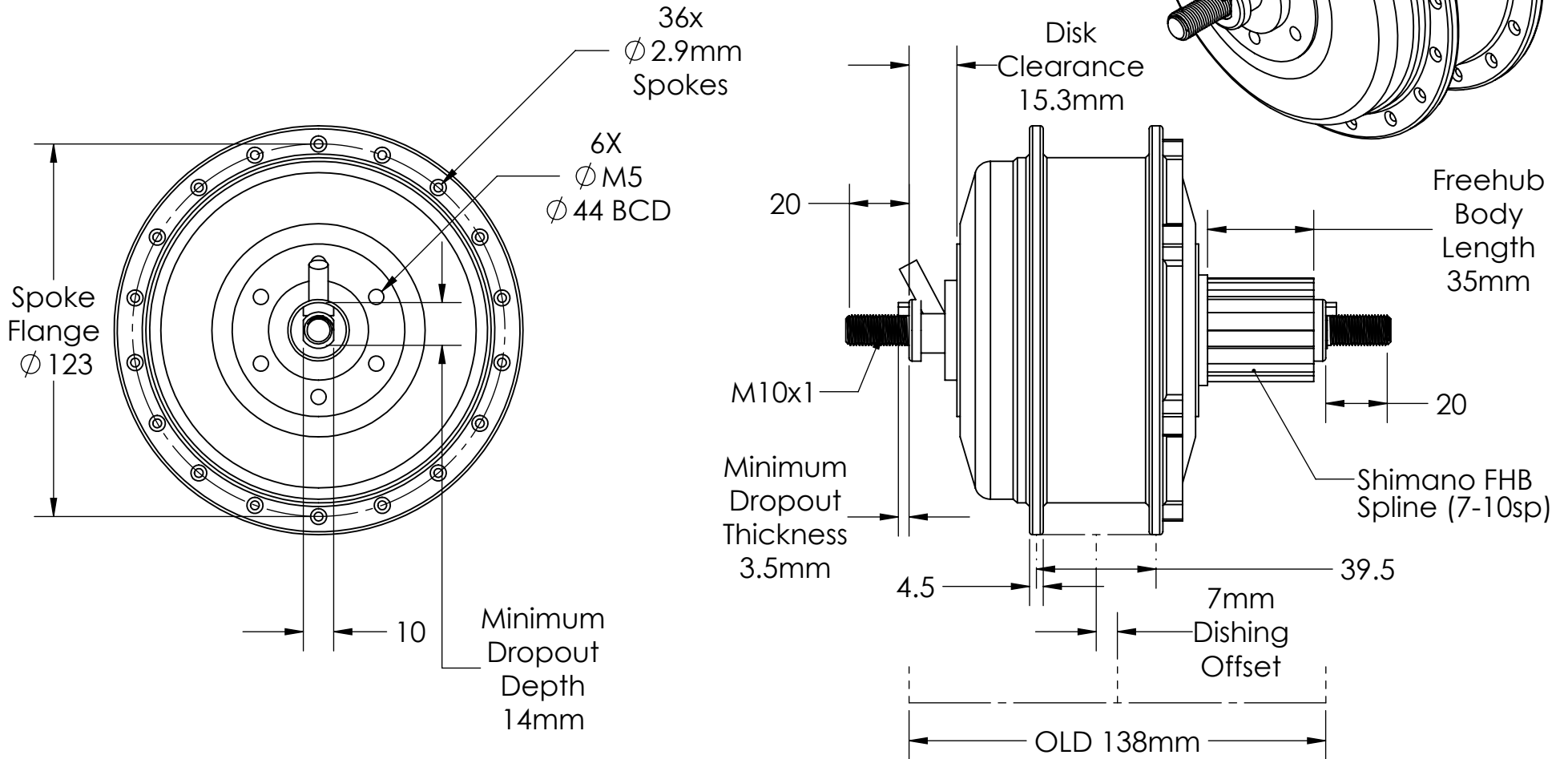


Gear Ratio: 11:1  
 Magnetic Pole Pairs: 8 (88 effective)  
 6 speed pulses/revolution  
 Connector: Higo Z910  
 Side-Cable Exit  
 Wire Length 220mm



PART NO:  
 MG310\_xxx

REVISION:  
 0

DRAWN: Robbie  
 DATE: 01/03/2018

MATERIAL:  
 WEIGHT: 2550 g

DESCRIPTION:  
 Bafang G310 Series Motors

UNLESS OTHERWISE SPECIFIED:  
 DIMENSIONS IN MM  
 TOLERANCES  $\pm$  1  
 TWO PLACE DECIMAL  $\pm$

SURFACE FINISH:  
 SCALE: 1:2



PROPRIETARY AND CONFIDENTIAL  
 THE INFORMATION CONTAINED IN THIS DRAWING IS THE SOLE PROPERTY OF GRIN TECHNOLOGIES. ANY REPRODUCTION IN PART OR AS A WHOLE WITHOUT THE WRITTEN PERMISSION OF GRIN TECHNOLOGIES IS PROHIBITED.