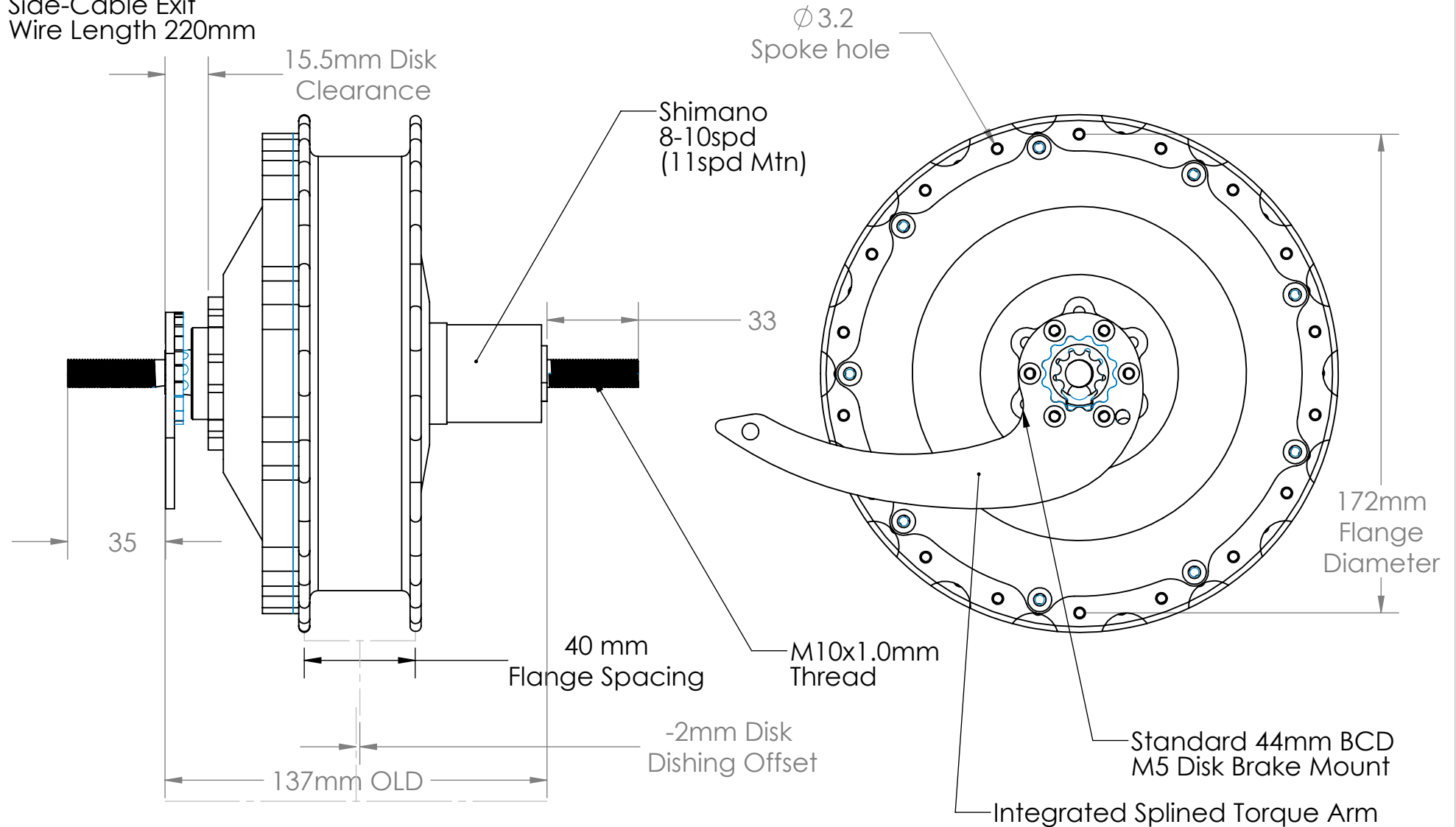


Gear Ratio: 5:1  
 Magnetic Pole Pairs: 16 (80 effective)  
 6 speed pulses/revolution  
 Connector: Higo L1019  
 Side-Cable Exit  
 Wire Length 220mm



PART NO:  
**GMAC rear motor**

DESCRIPTION:  
**10mm Splined Rear Axle**

REVISION:  
**0**

DRAWN: Robbie  
 DATE: 04/04/19

UNLESS OTHERWISE SPECIFIED:  
 DIMENSIONS IN MM  
 TOLERANCES ± 1mm

MATERIAL:  
 WEIGHT: g

SURFACE FINISH:  
 SCALE: 1:2



PROPRIETARY AND CONFIDENTIAL  
 THE INFORMATION CONTAINED IN THIS DRAWING IS THE SOLE PROPERTY OF GRIN TECHNOLOGIES. ANY REPRODUCTION IN PART OR AS A WHOLE WITHOUT THE WRITTEN PERMISSION OF GRIN TECHNOLOGIES IS PROHIBITED.