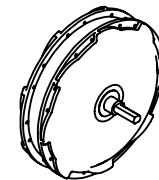
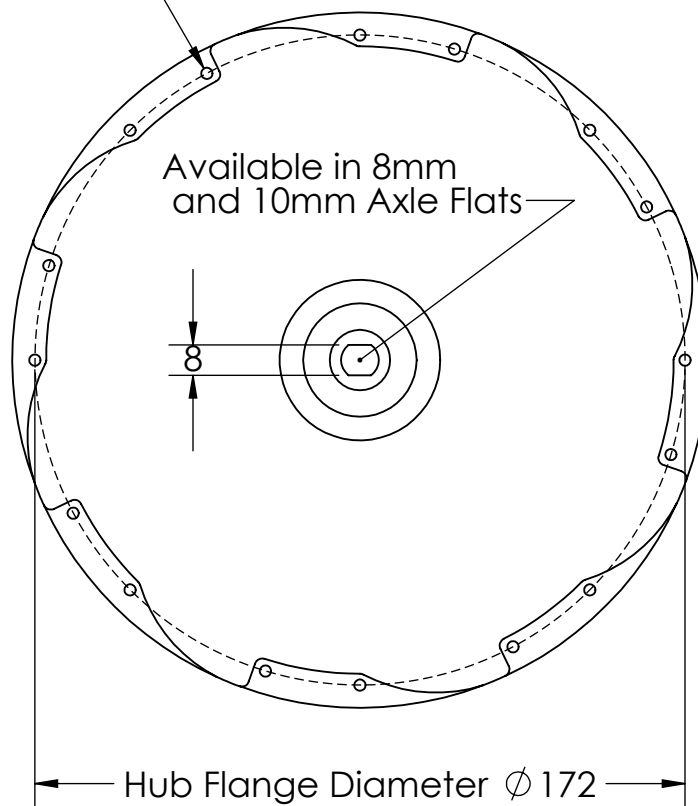
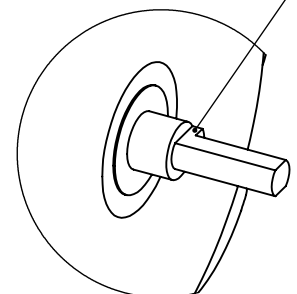


Spoke Hole $\phi 3$

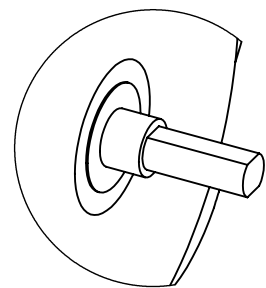
8mm: M10x1
10mm: M12x1.25



Torque Tab on non-cable side



8mm Axle Flat Detail



10mm Axle Flat Detail (no torque tab)

PART NO:
Crystalyte Saw 20mm Folder Motor

REVISION:
1

DRAWN: Robbie
DATE: 2014/10/06

MATERIAL:
WEIGHT: 3850 g

DESCRIPTION:
75mm OLD folding bike motor ~500W

UNLESS OTHERWISE SPECIFIED:
DIMENSIONS IN MM
TOLERANCES ± 1

SURFACE FINISH:
SCALE: 1:2



PROPRIETARY AND CONFIDENTIAL
THE INFORMATION CONTAINED IN THIS DRAWING IS THE SOLE PROPERTY OF GRIN TECHNOLOGIES. ANY REPRODUCTION IN PART OR AS A WHOLE WITHOUT THE WRITTEN PERMISSION OF GRIN TECHNOLOGIES(www.ebikes.ca) IS PROHIBITED.