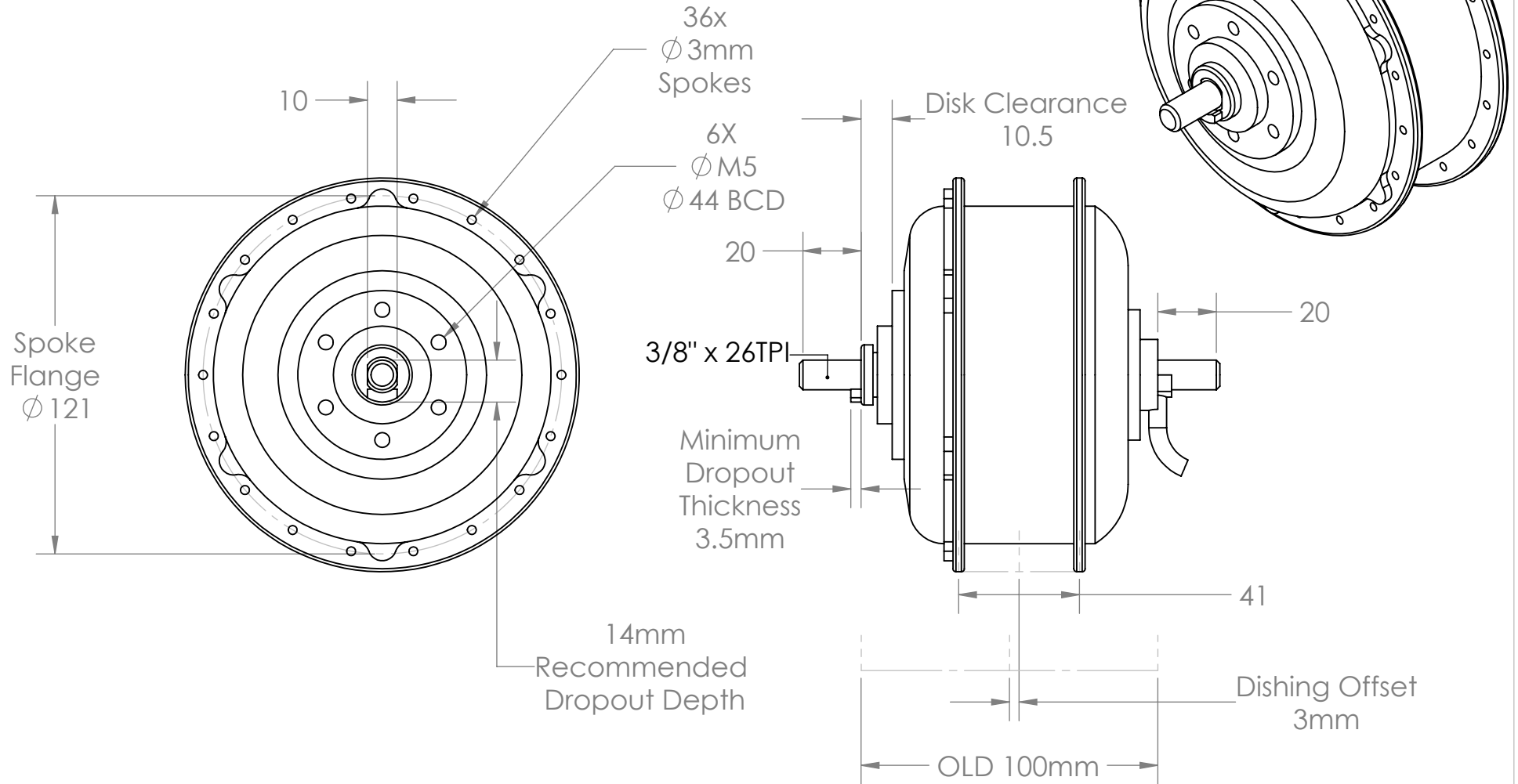


Gear Ratio: 11:1
 Magnetic Pole Pairs: 8 (88 effective)
 6 speed pulses/revolution
 Connector: Higo Z910
 Side-Cable Exit
 Wire Length 200mm



PART NO:
 MG311_xxx

REVISION:
 1

DRAWN: Robbie
 DATE: 04/25/2018

MATERIAL:
 WEIGHT: 2250 g

DESCRIPTION:
 Bafang G311 Series Motors

UNLESS OTHERWISE SPECIFIED:
 DIMENSIONS IN MM
 TOLERANCES ± 1
 TWO PLACE DECIMAL ±

SURFACE FINISH:
 SCALE: 1:2



PROPRIETARY AND CONFIDENTIAL
 THE INFORMATION CONTAINED IN THIS DRAWING IS THE SOLE PROPERTY OF GRIN TECHNOLOGIES. ANY REPRODUCTION IN PART OR AS A WHOLE WITHOUT THE WRITTEN PERMISSION OF GRIN TECHNOLOGIES IS PROHIBITED.