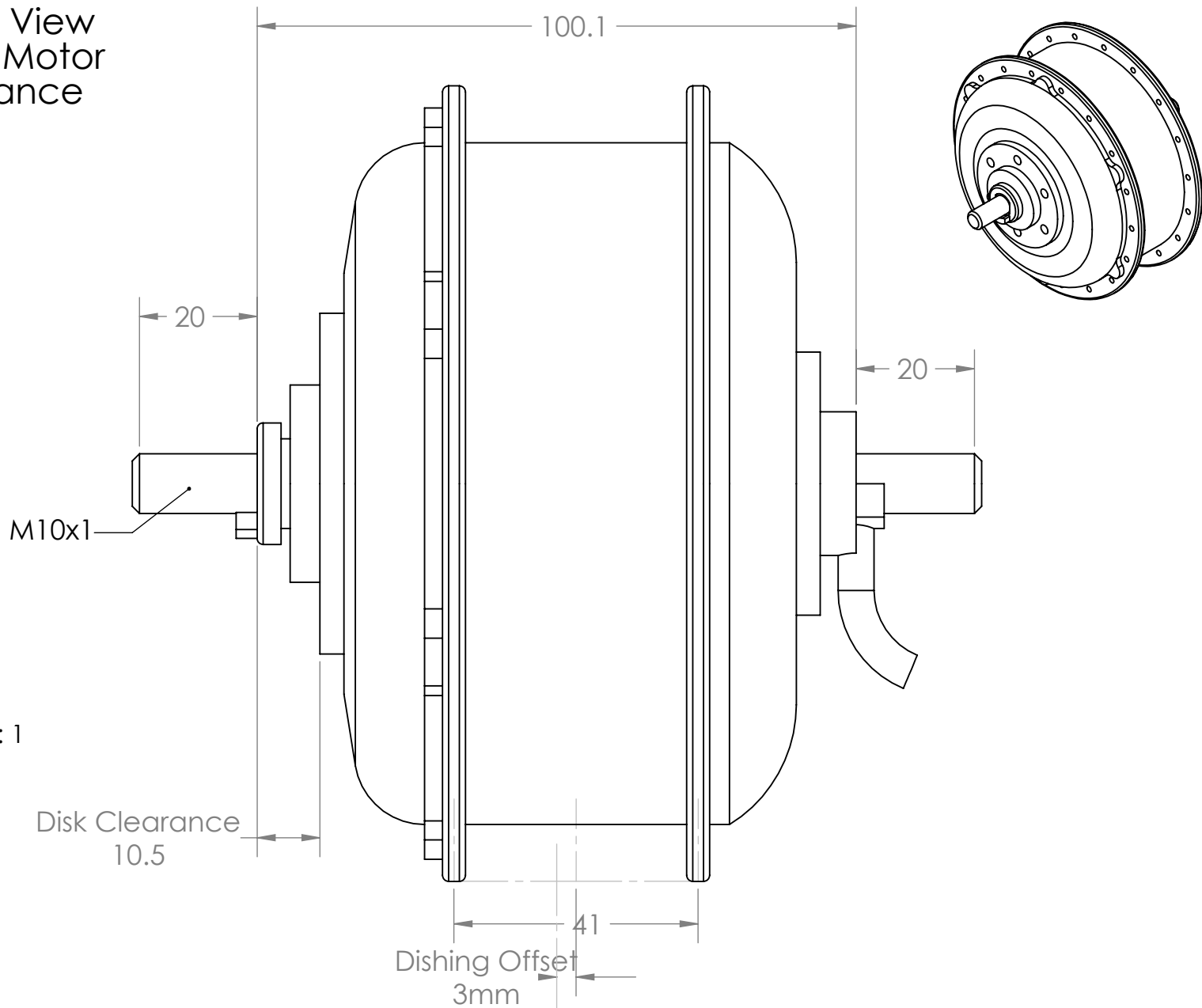


1:1 Scale Side View
of G311 Front Motor
for Fork Clearance



PART NO:

REVISION:
0

DRAWN: Justin LE
DATE: 03/16/2018

MATERIAL:
WEIGHT: g

DESCRIPTION:

Bafang G311 Side View

UNLESS OTHERWISE SPECIFIED:
DIMENSIONS IN MM
TOLERANCES ± 1
TWO PLACE DECIMAL \pm

SURFACE
FINISH:
SCALE: 1:1



PROPRIETARY AND CONFIDENTIAL

THE INFORMATION CONTAINED IN THIS DRAWING IS THE SOLE PROPERTY OF GRIN TECHNOLOGIES. ANY REPRODUCTION IN PART OR AS A WHOLE WITHOUT THE WRITTEN PERMISSION OF GRIN TECHNOLOGIES IS PROHIBITED.